



GOVERNOR

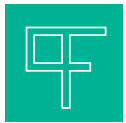
Line Pressure Regulators

2 PSIG

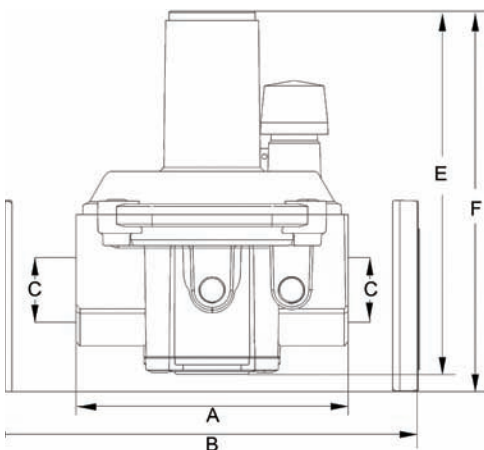
Safe, Reliable and High Performance

- CSA approved external vent limiter for indoor installations*
- Double diaphragm with internal vent limiter for added safety and greater reliability of service
- Balanced valve design for increased capacity, high 500 to 1 turndown and stable regulation from low to high flow
- Complete lockup in absence of gas flow, bubble tight shutoff
- Max. Inlet 7.2 PSIG for non CSA applications
- Weather Cap for Outdoor Installations

For Natural Gas & Propane



Pietro Fiorentini®



DIMENSIONS (IN INCHES)

Model #	Size	A	B	C	D	E	F	Weight (Lbs)
30051	1/2" NPT	4.12 4.45 w/Filter	-	1/2	-	5.59	-	1.54
30052	3/4" NPT	4 4.29 w/Filter	-	3/4	-	5.59	-	1.54
30053	1" NPT	4 4.29 w/Filter	-	1	-	5.59	-	1.54
30150	1/2" NPT	5.43	-	1/2	-	6.89	-	2.75
30151	3/4" NPT	5.28	-	3/4	-	6.89	-	2.75
30152	1" NPT	5.28	-	1	-	6.89	-	2.75
30153	1 1/4" NPT	7.64	-	1 1/4	-	10	-	7.5
30154	1 1/2" NPT	7.64	-	1 1/2	-	10	-	7.5
30155	2" NPT	9.29	-	2	-	12.44	13.74	12.34
30157/F	3" FLANGED	-	16.9	3	ANSI 150	-	17.09	27.56
30158/F	4" FLANGED	-	16.9	4	ANSI 150	-	19.76	27.56

For Natural Gas & Propane

Materials

- Body & Cover: Aluminum Alloy
- External Coatings: Polyurethane paint on request
- Diaphragm, O Rings & Valve: Nitrile Rubber
- Diaphragm Pan: Aluminized Steel

Outlet Spring Ranges

- Green 2" W.C. to 5.1" W.C.
- Red 2.75" W.C. to 7.87" W.C.
- White 4" W.C. to 11.8" W.C.
- Black 6" W.C. to 14" W.C.

Vent Sizes

- 1/4" NPT 1/2 - 1"
- 1/2" NPT 1 1/4 - 4"

Inlet Pressure CSA Certified Max 2 PSIG

Non CSA Certified Max 7.25 PSIG

GOVERNOR CAPACITY IN CFH FOR .60 SPECIFIC GRAVITY GAS

	Outlet Pressure Set Point		Operating Inlet Pressure	
	8" W.C.	11" W.C.	1 PSIG	2 PSIG
30051 1/2"	8" W.C.	386	635	928
	11" W.C.	297	628	928
30052 3/4"	8" W.C.	386	848	1,155
	11" W.C.	297	778	1,155
30053 1"	8" W.C.	386	1,059	1,501
	11" W.C.	297	974	1,501
30150 1/2" High Capacity	8" W.C.	891	1,695	2,205
	11" W.C.	656	1,471	2,205
30151 3/4" High Capacity	8" W.C.	1,125	2,084	2,785
	11" W.C.	829	1,858	2,785
30152 1" High Capacity	8" W.C.	1,337	2,437	3,308
	11" W.C.	985	2,206	3,308
30153 1 1/4"	8" W.C.	3,189	5,297	7,891
	11" W.C.	2,349	5,264	7,891
30154 1 1/2"	8" W.C.	3,330	5,650	8,240
	11" W.C.	2,453	5,496	8,240
30155 2"	8" W.C.	6,097	10,947	15,087
	11" W.C.	4,491	10,064	15,087
30157/F 3"	8" W.C.	9,676	16,810	23,202
	11" W.C.	7,451	15,715	23,202
30158/F 4"	8" W.C.	16,951	29,452	40,612
	11" W.C.	13,066	27,545	40,612